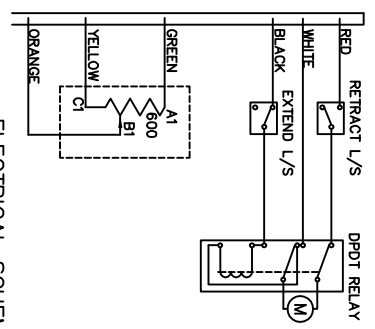


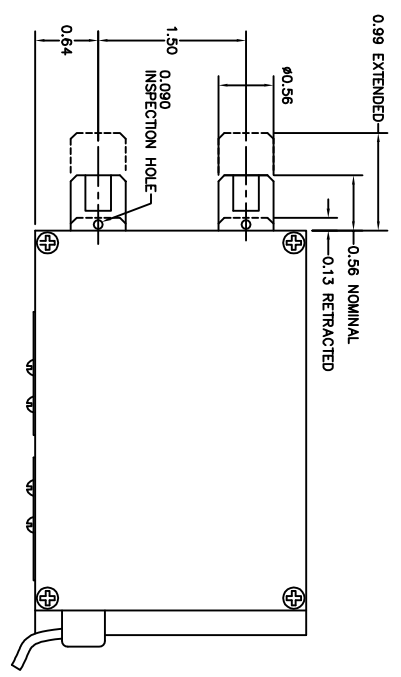
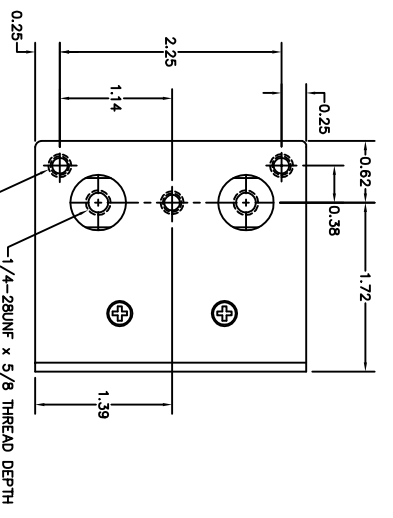
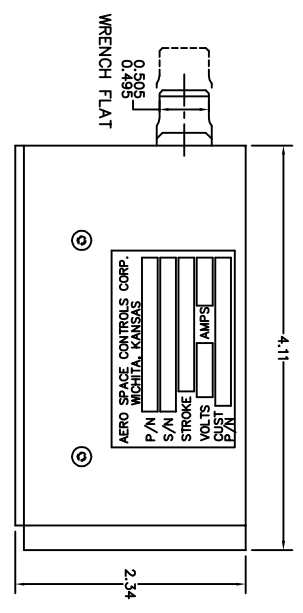
— NOTICE —
 This drawing is a part of the proprietary article therein disclosed and all design, manufacturing, production, and other information contained hereon and hereunder shall remain the property of Aero Space Controls Corporation, Wichita, Kansas. It is submitted under a non-disclosure agreement and its disclosure and use shall not be disclosed to any unauthorized person or incorporated in any other projects.

REVISONS		REVISION DESCRIPTION	DATE	APPD
C.O. NO.	REV.			
ASC4070	S	SEE SHEET 1 FOR REVISIONS	10-13-05	S.A.

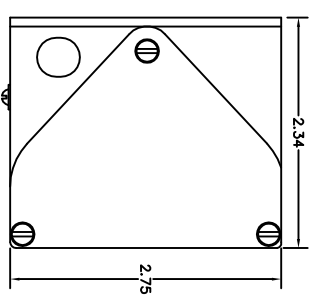


ELECTRICAL SCHEMATIC
 SHOWN IN RETRACT POSITION

- WIRE LEGEND
- RED +28VDC ACTUATOR RETRACT
 - WHITE -28VDC ACTUATOR GROUND
 - BLACK +28VDC ACTUATOR EXTEND
 - YELLOW EXTEND POSITION INDICATOR
 - GREEN RETRACT POSITION INDICATOR
 - ORANGE WIPER (VARIABLE POSITION)



—5 CONFIGURATION SHOWN



- NOTES CONTINUED: (AS APPLICABLE TO THE (-5) ASSEMBLY)
7. SEE 2006101-5 FOR THE APPLICABLE ASSEMBLY DRAWING
 8. VOLTAGE: 28 VDC
 9. MAXIMUM CURRENT: 2.0 AMPS WITH A 50 LB. LOAD
 10. OPERATIONAL LOAD: 50 LBS.
 11. STATIC TENSION LOAD: 100 LBS.
 12. FOR SHIPPING PURPOSES SET ACTUATOR RAMS AT THE .56 NOMINAL DIMENSION

QTY	ITEM SIZE	PART NUMBER	DESCRIPTION	MATERIAL	LIST OF MATERIALS	FINISH	FINISH SPEC
		-5					
<p>DIMENSIONAL SYMBOLS PER MIL-STD-88</p> <p>— FLATNESS & STRAIGHTNESS</p> <p>— ANGULARITY</p> <p>— PERPENDICULARITY</p> <p>— PARALLELISM</p> <p>— CONCENTRICITY</p> <p>— TIRE POSITION</p> <p>— ROUNDNESS</p> <p>— STRENGTH</p> <p>— MAXIMUM MATERIAL</p> <p>— MINIMUM MATERIAL</p> <p>— FINISH</p> <p>— DO NOT SCALE DRAWING</p>							
<p>UNLESS OTHERWISE SPECIFIED</p> <p>1. DIMENSIONS ARE IN INCHES</p> <p>FRACTIONS ± 1/16</p> <p>DECIMALS ± 0.005</p> <p>ANGLES ± 0.005</p> <p>XX DEC ± 0.005</p> <p>AND 1000</p> <p>2. SURFACE ROUGHNESS PER MIL-STD-10</p> <p>3. REMOVE BURRS & BREAK SHARP EDGES PER MIL-STD-10</p> <p>4. INTERNAL RADIUS TO .015</p> <p>5. STRAIGHTNESS PER MIL-5-2742</p> <p>6. TAPERED PER MIL-2-2105</p>							
SIGNATURES				DATE			
DR B. WILSON				1-16-98			
CHK E.W.K.							
ENGR E.W.K.							
APPD							
TITLE				CODE IDENT NO. SIZE DWG NO.			
AERO SPACE CONTROLS CORPORATION				C			
WICHITA, KANSAS				2006A100			
DUAL RAM ACTUATOR				SCALE 1:1			
				UNIT WT LBS			
				SHT 2 OF 3			